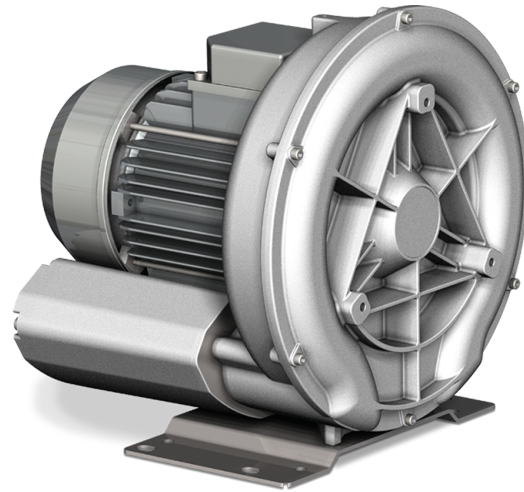


# SAMOS SI 0045-0150 E1

Side channel blowers



VACUUM SOLUTIONS



## Reliable

Robust and light-weight construction, effective air cooling, long lifetime, nearly maintenance-free, dry and contact-free operating principle, protection against overheating

## Flexible

Vacuum or overpressure operation, horizontal and vertical installation

## Quiet

Low noise level, fully enclosed unit, internal silencers

### Accessories

- Vacuum relief valves
- Pressure relief valves
- Additional silencers
- Inlet filter for vacuum or pressure operation

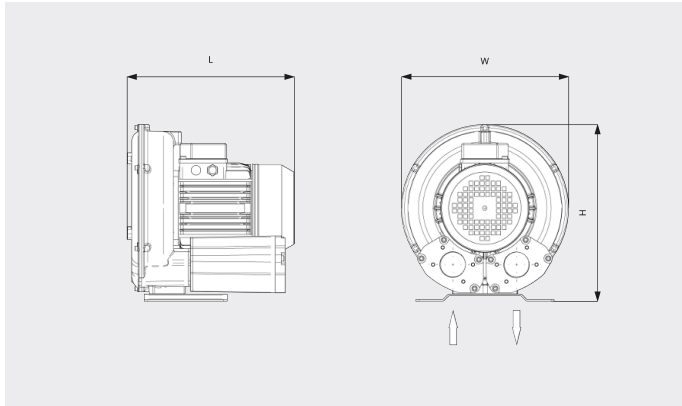
# SAMOS SI 0045-0150 E1

Side channel blowers



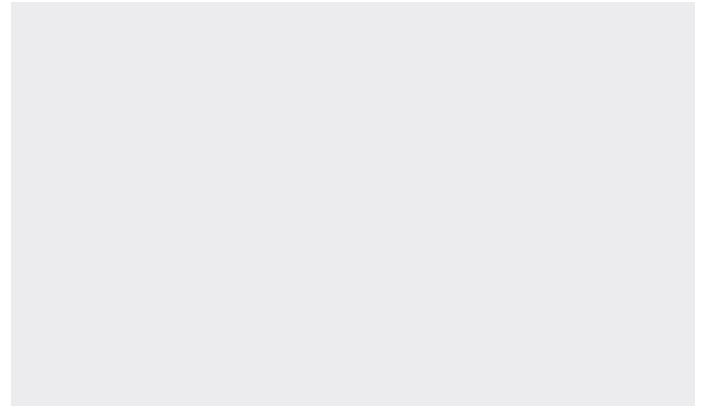
VACUUM SOLUTIONS

Dimensional drawing



Pumping speed/Volume flow

Air at 20°C. Tolerance: ± 10%



	SAMOS SI 0045 E1	SAMOS SI 0090 E1	SAMOS SI 0150 E1
Nominal pumping speed/volume flow	28.2 ACFM	56.5 ACFM	95.3 ACFM
Max. differential pressure (vacuum version)	-90 TORR	-116.25 TORR	-97.5 TORR
Max. differential pressure (overpressure version)	97.5 TORR	108.75 TORR	101.25 TORR
Nominal motor rating	0.3 HP	0.7 HP	1.2 HP
Nominal motor speed	3600 RPM	3600 RPM	3600 RPM
Noise level (ISO 3744)	60 dB(A)	61 dB(A)	66 dB(A)
Weight approx.	15.4 Lbs.	22 Lbs.	39.6 Lbs.
Dimensions (L x W x H)	7.6 x 7.8 x 8.2 inches	10.7 x 9.6 x 5.9 inches	11.1 x 11.9 x 12.6 inches
Gas inlet / outlet	G 1" / G 1"	G 1¼" / G 1¼"	G 1½" / G 1½"

## DO YOU WANT TO KNOW MORE?

Get in touch with us directly!  
[info@buschusa.com](mailto:info@buschusa.com) or +1 757 463 7800



CONTACT FORM



CALL NOW